



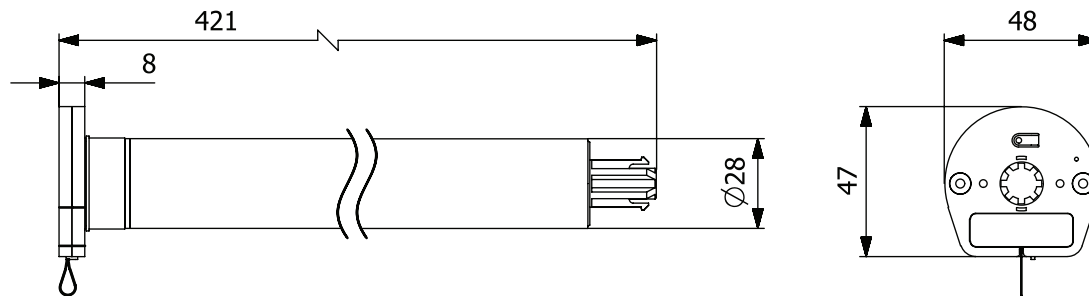
2024 Product Catalogue

dendo



matter

RZ28 Rechargeable Battery Motor



Specifications

Operating Voltage	7.4 V DC
Rated Power	10 W
Rated Torque	0.7 Nm
Rated Speed	25 RPM
Max Shade Size (typ.)	6 m ²
Battery Runtime (est.)	9 months

Control Options:

- Onboard pull switch
- RF remote
- Bond Bridge
- Zigbee 3.0*
- Matter over Thread*

*using Smart Control Module (see page 08)

Power Options:

- USB charger
- Solar panel

Hardware Compatibility:

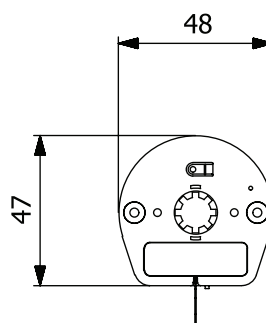
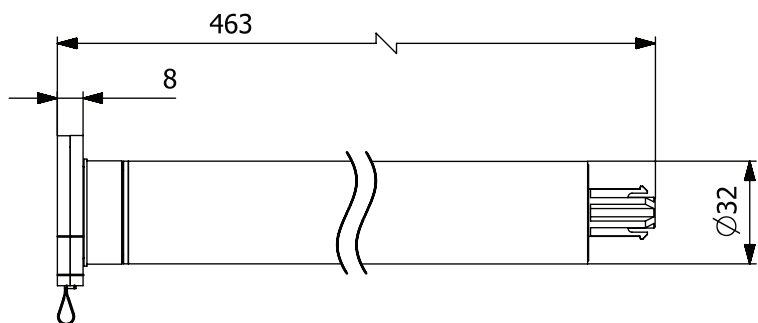
- Rollease Skyline 1.5", 2" w/ribs
- Acmeda S40, S45
- Louvolite System 40, System 45
- Hunter Douglas Quantum 37mm

RZ32 Rechargeable Battery Motor

 Ultra-
Quiet



 **zigbee**
 **matter**



Specifications

Operating Voltage	7.4 V DC
Rated Power	25 W
Rated Torque	2.0 Nm
Rated Speed	25 RPM
Max Shade Size (typ.)	15 m ²
Battery Runtime (est.)	9 months

Control Options:

- Onboard pull switch
- RF Remote
- Bond Bridge
- Zigbee 3.0*
- Matter over Thread*

*using Smart Control Module (see page 08)

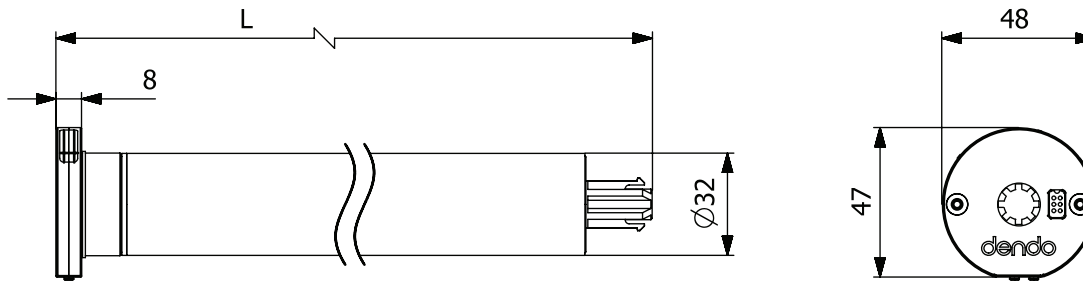
Power Options:

- USB charger
- Solar panel

Hardware Compatibility:

- Rollease Skyline 1.5", 2" w/ribs
- Acmeda S45
- Louvolite System 45
- Hunter Douglas Quantum 50mm

RD32 Hardwired Motor



Specifications

Rated Power	25 W
Rated Torque	2.0 Nm
Rated Speed	25 RPM
Max Shade Size (typ.)	15 m ²

Power Source Variants

RD32	L = 405 mm	24 V DC
RD32-A	L = 478 mm	100~240 V AC
RD32-P	L = 548 mm	PoE 802.3af

Control Options:

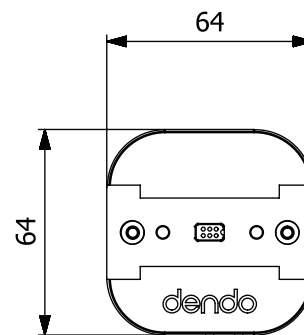
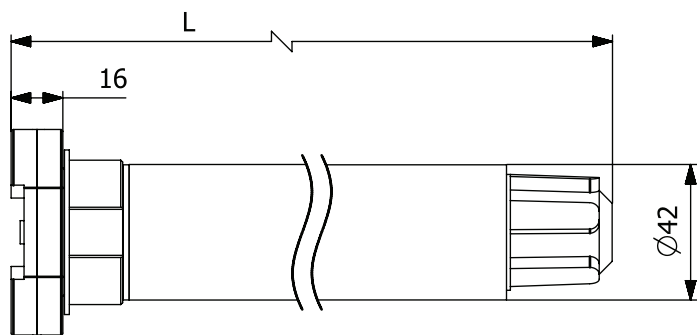
- RF remote
- Bond Bridge
- Zigbee 3.0* (RD32 and RD32-A)
- Matter over Thread* (RD32 and RD32-A)
- Matter over Ethernet (RD32-P only)

*using Smart Control Module (see page 08)

Hardware Compatibility:

- Rollease Skyline 1.5", 2" w/Ribs
- Acmeda S45
- Louvolite System 45
- Hunter Douglas Quantum 50mm

RD42 Hardwired Motor



Specifications

Rated Power	40 W
Rated Torque	4.0 Nm
Rated Speed	25 RPM
Max Shade Size (typ.)	30 m ²

Power Source Variants

RD42	L = 392 mm	24 V DC
RD42-A	L = 435 mm	100~240 V AC
RD42-P	L = 508 mm	PoE 802.3af

Control Options:

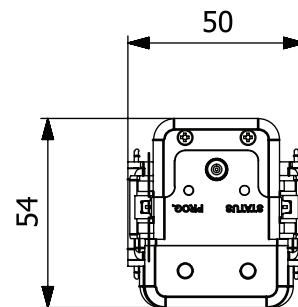
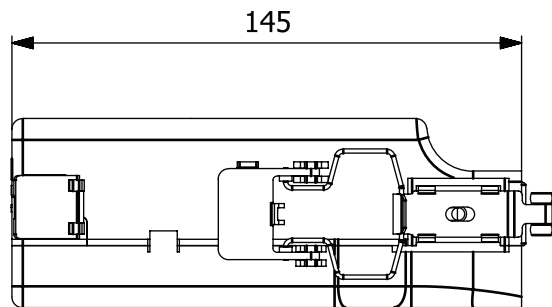
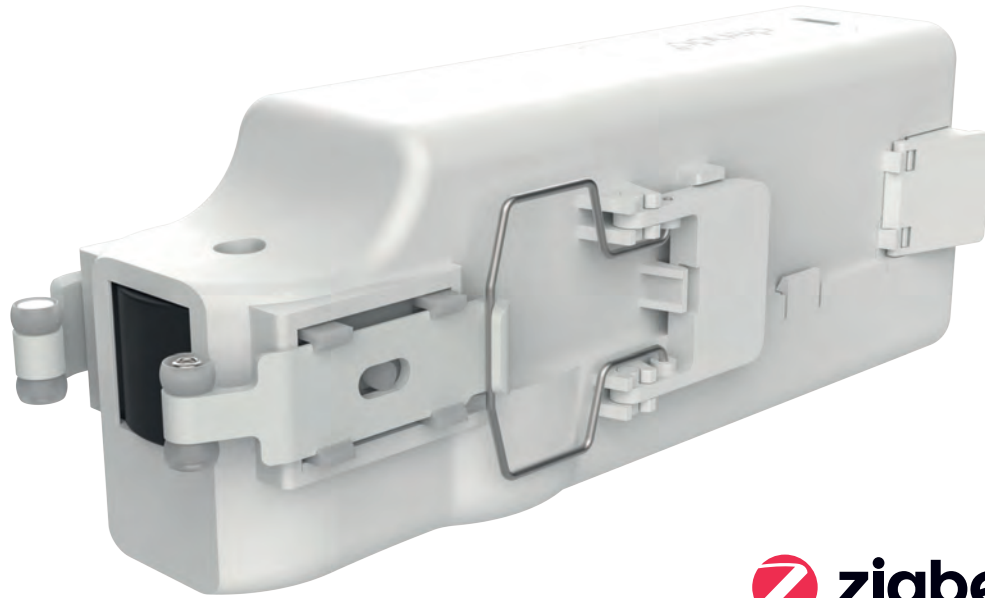
- RF remote
- Bond Bridge
- Zigbee 3.0* (RD42 and RD42-A)
- Matter over Thread* (RD42 and RD42-A)
- Matter over Ethernet (RD42-P only)

*using Smart Control Module (see page 08)

Hardware Compatibility:

- Rollease Skyline 2" w/Ribs, 2" Smooth, 2.5"
- Acmeda S60, S80
- Systems using generic 10 x 10 mm square shaft motor brackets

TU12 Traversing Motor for U-Rails



Specifications

Operating Voltage	7.4 V DC
Rated Power	10 W
Linear Speed	10 cm/s
Max Curtain Weight (typ.)	12 kg
Max Track Width (typ.)	6 m
Battery Runtime (est.)	12 months

Control Options:

- Touch activation
- RF remote
- Bond Bridge
- Zigbee 3.0*
- Matter over Thread*

*using Smart Control Module (see page 08)

Power Options:

- USB charger

Hardware Compatibility:

- Forest CS, CL, DS, KS, RTS
- Vako 10/14, 10/19
- Mottura Multiplo 412, Ego 480, Arco 490
- Oslo Series 50, 51, 54, 57, 58, 67, 70, 98
- Kirsch Architrac 94001, 94003, 94004

TC10 Traversing Motor for C-Rails



Specifications

Operating Voltage	7.4 V DC
Rated Power	10 W
Linear Speed	12 cm/s
Max Curtain Weight (typ.)	10 kg
Max Track Width (typ.)	6 m
Battery Runtime (est.)	12 months

Control Options:

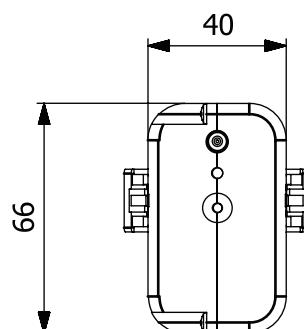
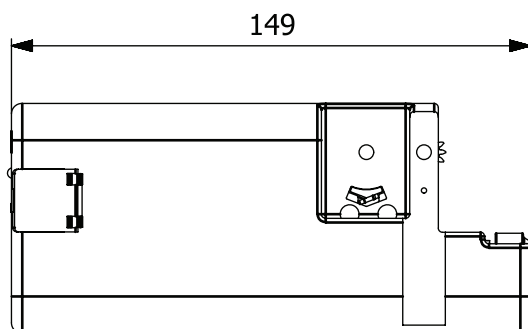
- Touch activation
- RF remote
- Bond Bridge

Power Options:

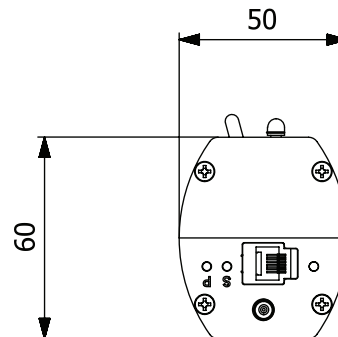
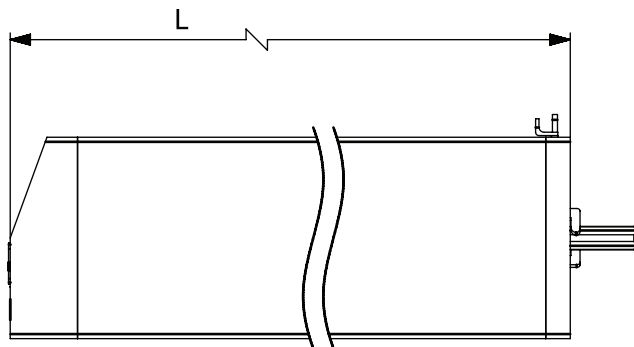
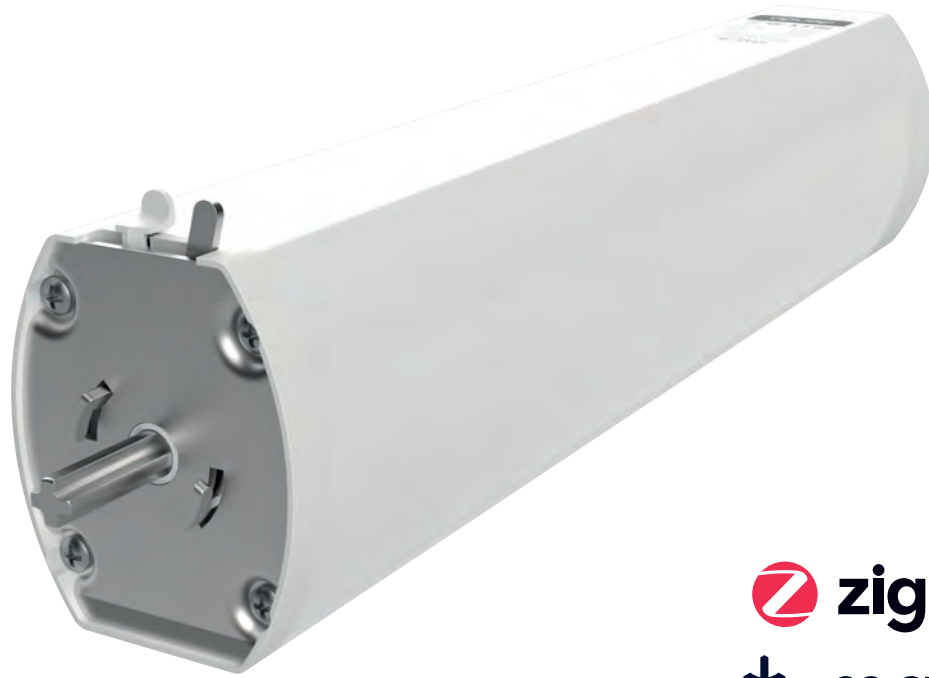
- USB charger

Hardware Compatibility:

- TBS System 20, 70, Streamline
- Oslo Series 51, 74
- Track adapters can be specified to suit various tracking systems



ST45 Belted Track Motor



Specifications

Rated Power	35 W
Linear Speed	15 cm/s
Max Curtain Weight (typ.)	45 kg
Max Track Width (typ.)	15 m

Power Source Variants

ST45	L = 225 mm	24 V DC
ST45-B	L = 270 mm	7.4V Li-ion

Control Options:

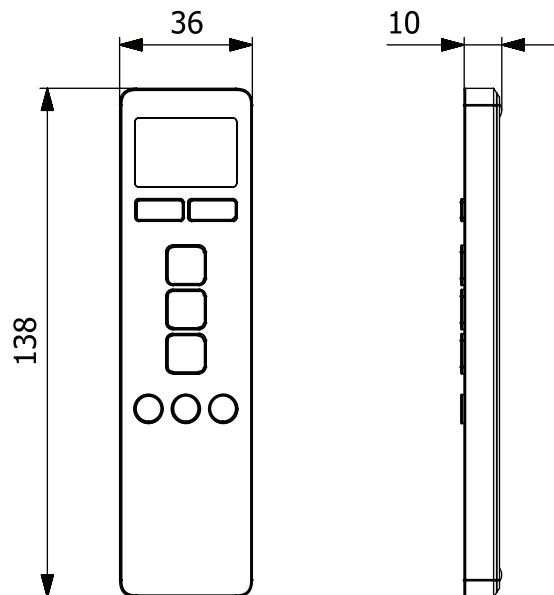
- RF remote
- Bond Bridge
- Zigbee 3.0*
- Matter over Thread*

*using Smart Control Module (see page 08)

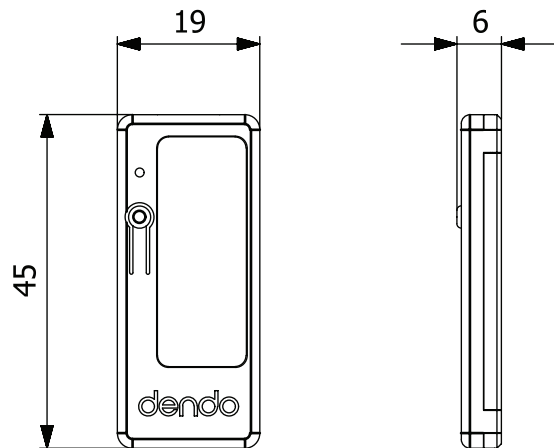
Hardware Compatibility:

- BTX Tumo, 5060
- Can be adapted to fit a range of tracks upon request

Controls



RF Remote Handset	
Frequency	433.92 MHz
Number of Channels	15
Battery Type	CR2450
Battery Life (est.)	5 Years
Indoor Range (typ.)	20 m
Dimensions	138 * 36 * 11 mm



Smart Control Module (SCM)	
Frequency	2.4 GHz
Radio Standard	IEEE 802.15.4
Operating Voltage	3.3 V DC
Average Current	<50 μ A
Indoor Range (typ.)	10 m
Dimensions	45 * 19.2 * 6 mm

Power Components



Magnetic Charging Cable

Input Voltage	5 V DC
Operating Voltage	9 V DC
Charging Current	500 mA
Cable Length	3 m



AC/DC Power Adapter

Input Voltage	100~240 V AC
Output Voltage	24 V DC
Rated Output	36 W
DC Plug Type	5.5 * 2.1 mm



Indoor Solar Panel

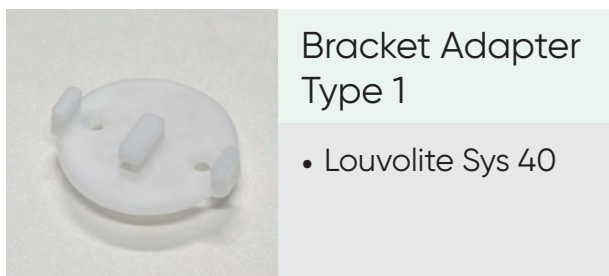
Open Voltage	12 V DC
Maximum Output	1.5 W
PV Cell Type	Monocrystalline
Dimensions	290 * 53 * 12 mm

Adapters & Misc.



Tube Adapter
Type A

- Acmeda S40



Bracket Adapter
Type 1

- Louvolite Sys 40



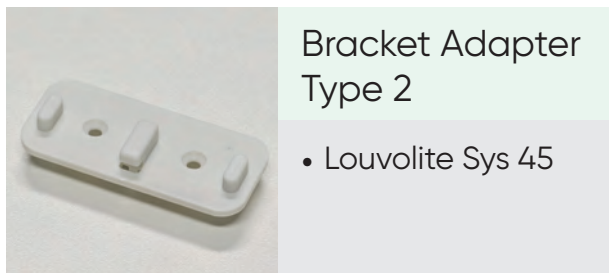
Pull Chain for
RZ28/RZ35

- Length can be customised



Tube Adapter
Type B

- Rollease 1.5"
- Louvolite Sys 40



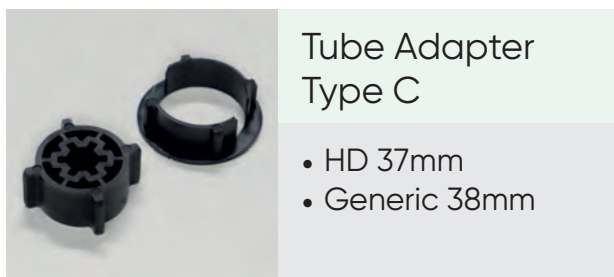
Bracket Adapter
Type 2

- Louvolite Sys 45



Vanity Sleeve
for TU12 Motor

- Light grey
- Black



Tube Adapter
Type C

- HD 37mm
- Generic 38mm



Bracket Adapter
Type 3

- Rollease Skyline



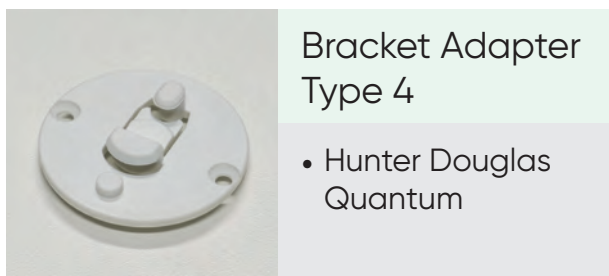
Track Adapter
Style 1

- For TC10 motor
- Bottom channel type tracks



Tube Adapter
Type D

- Acmeda S45
- Louvolite Sys 45



Bracket Adapter
Type 4

- Hunter Douglas Quantum



Track Adapter
Style 2

- For TC10 motor
- Side channel type tracks



Dendo Systems Pty Ltd

1/1 Archer Road, Truganina
VIC 3029, Australia

+61 3 8375 1988
info@dendo.com.au